


PRODUCT SHEET

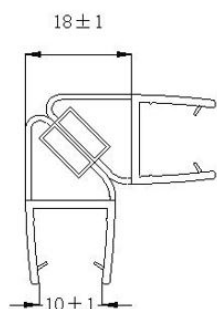
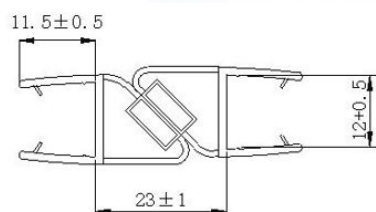
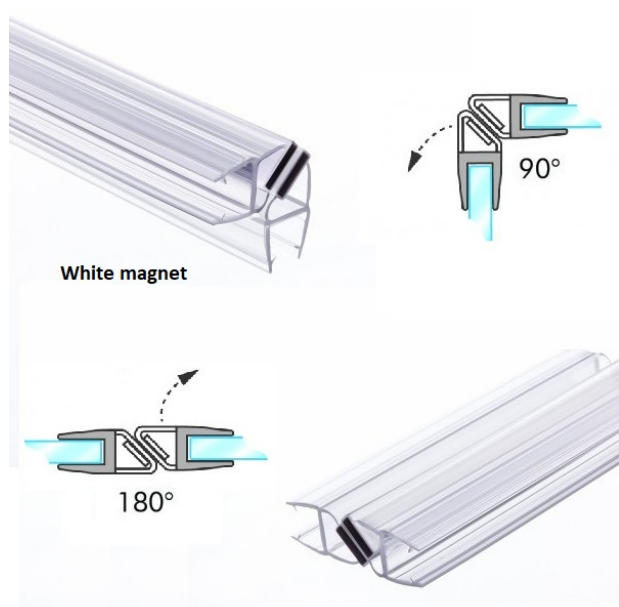
Description:

PVC Seal Glass To Glass, White Magnet, 90/180DG,S-5711,F/12 mm Glass, 2,5 Mtr.

Item number:

15.22.308-1

| Units | Box | Carton | HS Code | Barcode |
|-------|-----|--------|------------|---|
| Pair | 4 | 32 | 3925901000 |  5704866443395 |



SISO A/S

Mileparken 11
DK-2740 Skovlunde
Denmark
VAT: DK 24786013

Phone +45 45 830 900

www.siso.dk
siso@siso.dk

Danske Bank
Nytorv Branch
Copenhagen
SWIFT: DABADKKK

Account no.
4180 3112 112936
IBAN Account
DK7230003112112936